



# AVG (Medical Device) Design & Development



# AVG (Medical Device) Design & Development

- ❑ AES designed and developed an AVG (medical device) which has a various futuristic features as follows
  - 1) Auto dispensing injection
  - 2) Dosage control
  - 3) QR code scanner
  - 4) Bluetooth / Wi-Fi control
  - 5) Cloud data saver
- ❑ This device is enables with IoT so the data were transferred automatically to cloud and so the billing will be automatically in cloud without human intervention.
  - 6) Data Transfer
  - 7) Disposal
  - 8) Billing
  - 9) Charging
- ❑ The stage of operation are :
  - 1) Switch On Power
  - 2) Scanning
  - 3) Insert The Syringe
  - 4) Fill The Syringe
  - 5) Give The Injection



# AVG (Medical Device) Design & Development



Display and control



QR & Camera Access



One press syringe pump loading



Connectivity with WIFI

2.5ml syringe barrel (disposal)



OR Scanner & Camera

Long press trigger

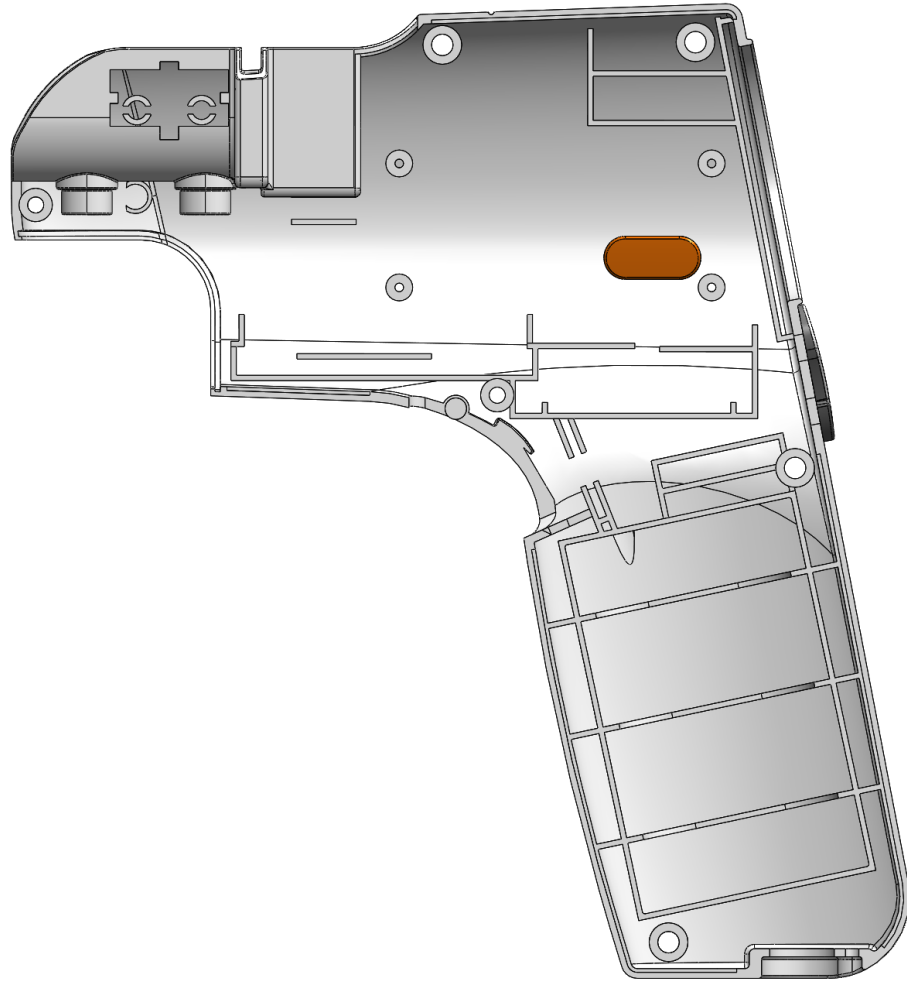
Disposable syringe Fixing Slot with lock & ejection system

On/Off

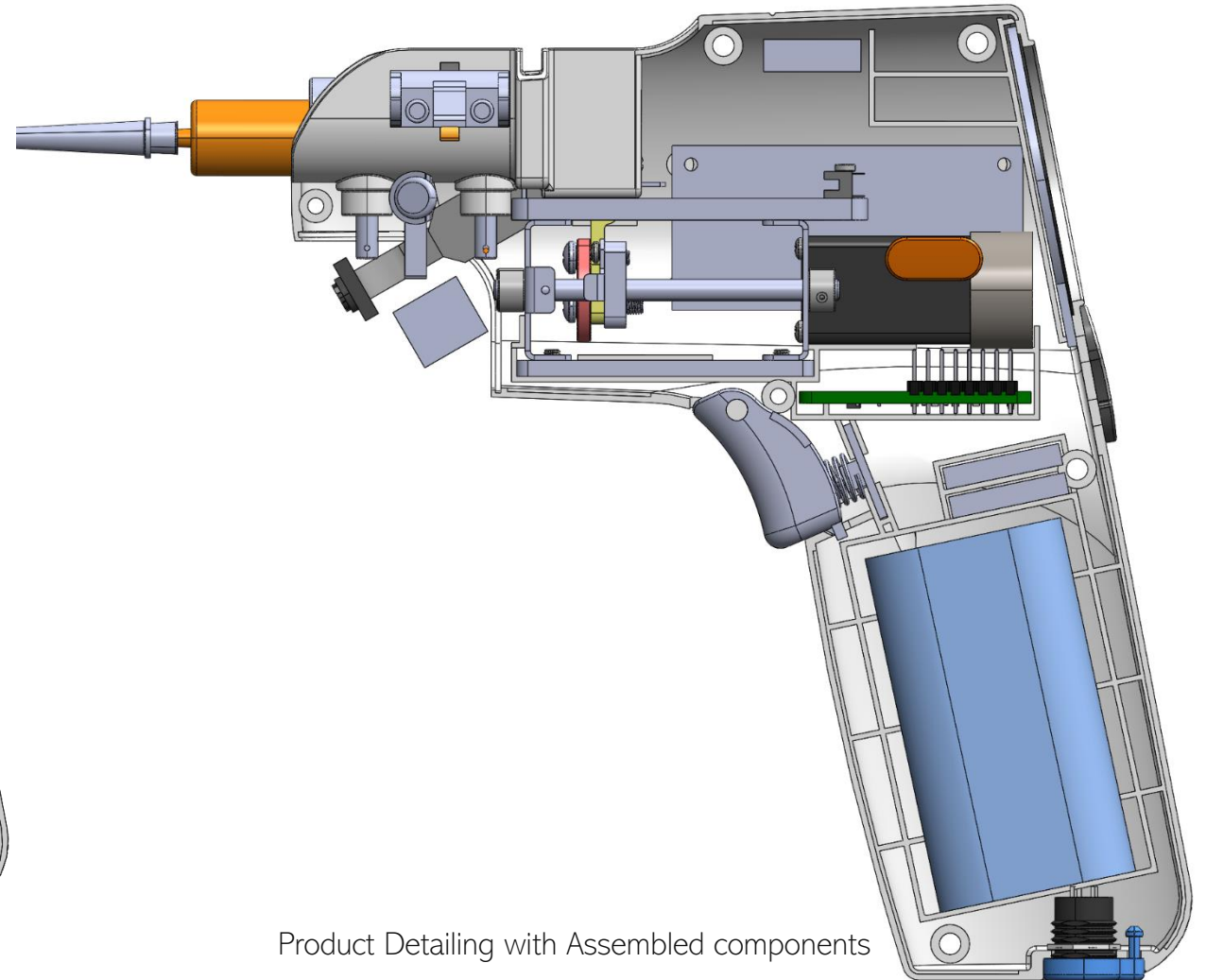
Ejection Button

Rubber grip handle ergonomically designed

# AVG (Medical Device) Mechanical Design



Plastic Product Detailing



Product Detailing with Assembled components